



Jairaj Ancillaries Pvt.Ltd.

Layout Inspection Report

Format No : F-QA-08.00/01.10.2020

Customer Name : Endurance technologies Ltd

Date : 30/11/2021

Part Name & No : INNER DUST COVER /S2DC031020-XA

Material & Batch No. : PPCP MI 3S30 - H2120316

Sample Size : 4 Nos

Cav. No. : 4 Nos

Sr. No.	Parameter	Specification	Measuring Instrument	Observation				Remarks
				1	2	3	4	
1	Outer Dia	∅ 51 ± 0.2 mm	DVC	50.86	50.85	50.90	50.87	OK
2	Inner Dia	∅ 33 ± 0.2 mm	DVC	33.06	33.08	33.04	33.10	OK
3	Dim.	20 ± 0.2 mm	DVC/HTG	20.07	20.10	20.08	20.07	OK
4	Total Length	115 ± 0.5 mm	DVC/HTG	114.80	114.94	114.88	115.02	OK
5	Outer Dia	∅ 37.3 ± 0.2 mm	DVC	37.46	37.44	37.48	37.45	OK
6	Inner Dia	∅ 35.5 ± 0.2 mm	DVC	35.56	35.61	35.54	35.60	OK
7	Angle	45°	As per Tool	— As per tool dimn. —				OK
8	Thickness	3 ± 0.2 mm	DVC	3.05	3.02	3.06	3.04	OK
9	Slot Width	7 ± 0.2 mm	DVC	7.06	7.04	7.08	7.09	OK
10	Angle	45°	As per Tool	— As per tool dimn. —				OK
11	Outer Dia	∅ 38 ± 0.2 mm	DVC	37.99	38.06	37.94	38.02	OK
12	Dim.	15 ± 0.2 mm	DVC/HTG	15.06	15.08	15.04	15.05	OK
13	Rib Thickness	5 ± 0.2 mm	DVC	4.92	4.90	4.93	4.89	OK
14	Apperance	No Flash Allowed	Visually	— No flashes observed —				OK
15	Colour	Black	Visually	— Black colour —				OK
16	Material	PPCP	Refer MTC & RM Issue slip	— PPCP MI 3S30. As per rack (card) —				OK
17	Weight	22.0 gm	Weigh. m/c	— 22-23 gm —				OK

Note: CTQ Parameters denoted by ymbol

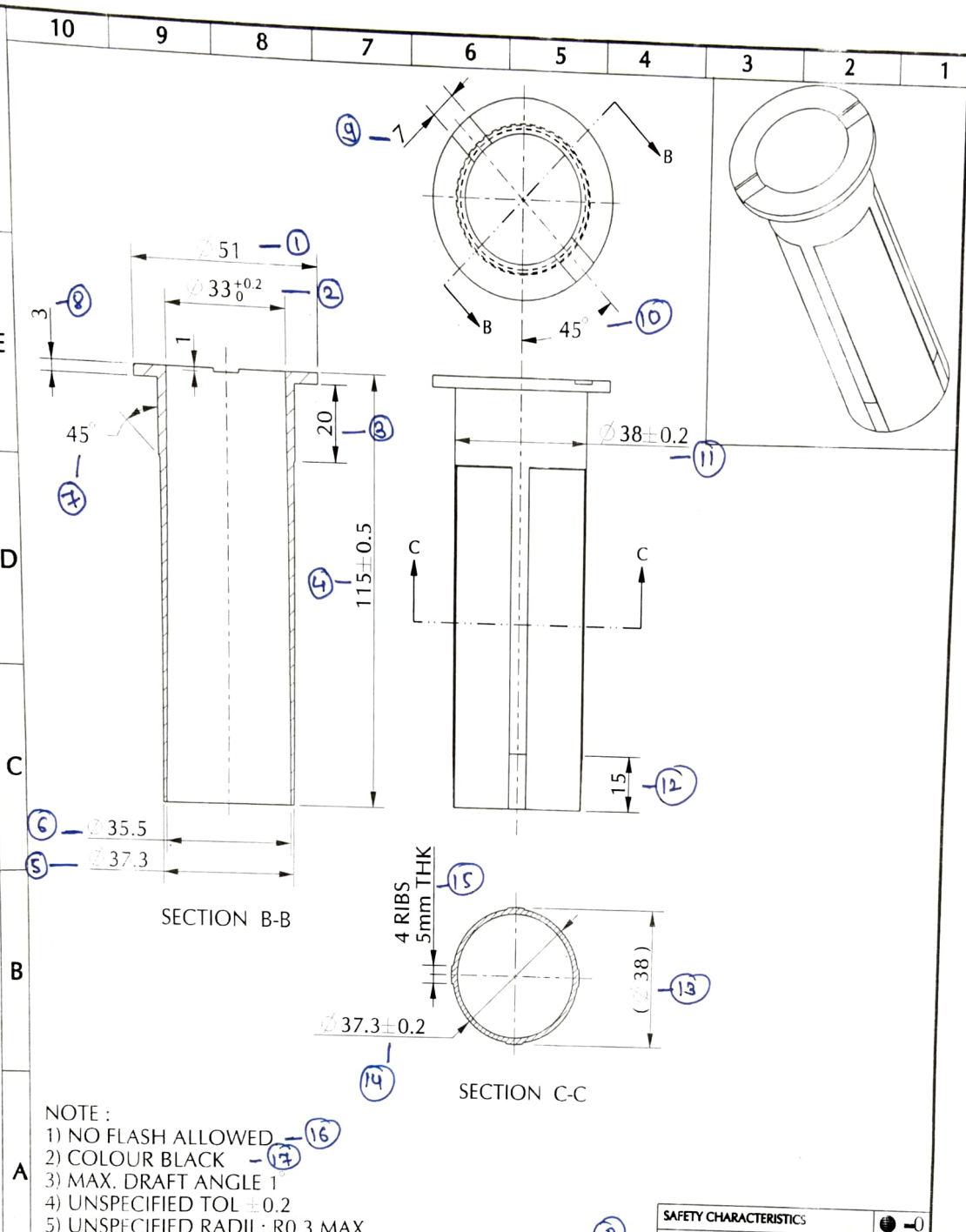
Remarks: OK

Accepted Restudy required Rejected

Checked By:

Approved By:

THE INFORMATION CONTAINED HEREIN IS STRICTLY CONFIDENTIAL - CRITICAL AND IS A PROPERTY OF ENDURANCE SUSPENSION DIVISION, AURANGABAD AND ANY USE EXCEPT FOR WHICH IT IS AUTHORIZED IS STRICTLY PROHIBITED. ANY MISUSE OR INFRINGEMENT THEREOF WILL RESULT IN LEGAL ACTION TO PROTECT OUR RIGHTS. IF YOU ARE NOT THE INTENDED RECIPIENT YOU HAVE RECEIVED THIS IN ERROR PLEASE DONOT REVIEW OR COPY THIS DOCUMENT AND KINDLY NOTIFY AT THE MENTIONED ADDRESS. ITEM CODES ENDING WITH 'O' REPRESENTS DRAWINGS. CORRESPONDING PART NOS./CODES WILL END WITH 'M' OR 'B' BASED ON COMPANY'S MARK OR BUY DECISION.



- NOTE :
- 1) NO FLASH ALLOWED - (16)
 - 2) COLOUR BLACK - (17)
 - 3) MAX. DRAFT ANGLE 1
 - 4) UNSPECIFIED TOL ±0.2
 - 5) UNSPECIFIED RADII : R0.3 MAX.

DATE		REV		ALTERATION		ECN	DRN	MATERIAL	SAFETY CHARACTERISTICS		SIGNIFICANT CHARACTERISTICS		
06.05.16		XA		NEW RELEASE FOR DEVELOPMENT		ECR	3072-S	PPCP	O/E PART NO -		REF. PART NO 53BDC00102 REV XD		
NOTE: 1. UNSPECIFIED TOLERANCES AS PER IS-2102 (PART-1) MEDIUM		2. DO NOT SCALE (REFERENCE ONLY)		SIZE:		A4		WEIGHT	DESCRIPTION		SUPERCEDES PART NO -		
MM 0		1 2 3 4 5 6 7 8 9 10 11 12 13 14 15 16 17 18 19 20 21 22 23 24 25 26 27 28 29 30 31 32 33 34 35 36 37 38 39 40 41 42 43 44 45 46 47 48 49 50 51 52 53 54 55 56 57 58 59 60						VOLUME	INNER DUST COVER		DRG. No./PART No.		REV
								22.0 gms	S2DC031020		XA		
								23814.4 mm ³	DRAWN BY		CHECKED BY		
								SURFACE AREA	APPROVED BY		SCALE		
								mm ²	NTS		SHEET NO.		
								PROJECTION ANGLE	1 OF 1		ENDURANCE SUSPENSION DIVISION		
								DRG. No./PART No.	E-92, MIDC WALUJ, AURANGABAD (M. S.)-431136, INDIA		Ph.: +91-240-2554902, 25564595. Fax.: +91-240-2555423		