

SAMPLE INSPECTION REPORT

Customer Name :	Endurance Tech Ltd. (Sarand)	Date :	24/05/2022
Part Name :	Dust Cover	Cavity :	4 no's
Part No. :	530DC00802	Sample Size :	4 nos

Sr. No.	Parameter	Specification	Inspection Method	Observations				Remark
				1	2	3	4	
1	OD	∅32.5 + 0.3 mm	DVC	32.56	32.57	32.59	32.58	OK
2	Inner Dia	∅29.5 - 0.2 mm	DVC	29.44	29.45	29.43	29.46	OK
3	Width	32 ± 0.3 mm	DVC	31.72	31.74	31.76	31.74	OK
4	Total Length	140 ± 0.3 mm	DVC/HTG	139.98	139.92	140.02	139.98	OK
5	Dim.	3 ± 0.3 mm	DVC	3.04	3.06	3.03	3.07	OK
6	OD	∅31.5 - 0.2 mm	DVC	31.34	31.35	31.33	31.34	OK
7	Radius	R 1.5	Radius Gauge	— R 1.5 —				OK
8	Logo	ENDURANCE KWP-D01	Visually	— ENDURANCE KWP-D01 —				OK
9	Logo Letter height	5 ± 0.3 mm	DVC	4.90	4.92	4.91	4.92	OK
10	Ref. Dim.	90 ± 0.3 mm	Tool Dim.	— Reference dimension —				OK
11	Slot Width	3 ± 0.3 mm	DVC	3.24	3.22	3.20	3.21	OK
12	Inner Dia	∅20.5 ± 0.1 mm	DVC	20.56	20.54	20.57	20.56	OK
13	Dia.	∅25.2 ± 0.3 mm	DVC	24.92	24.94	24.90	24.91	OK
14	Apperance	Free From Flash	Visually	— Flashes not observed —				OK
15	Colour	Black	Visually	— Black - As per ref. sample —				OK
16	Material	PPCP	MTC	— As per attached MTC PPCP —				OK
17	Weight	15 gm.	Weigh.m/c	— 15.0 gm each cavity —				OK

Note: CTQ Parameters denoted by mbol . 1) Unspecified Tol. ± 0.3 mm .

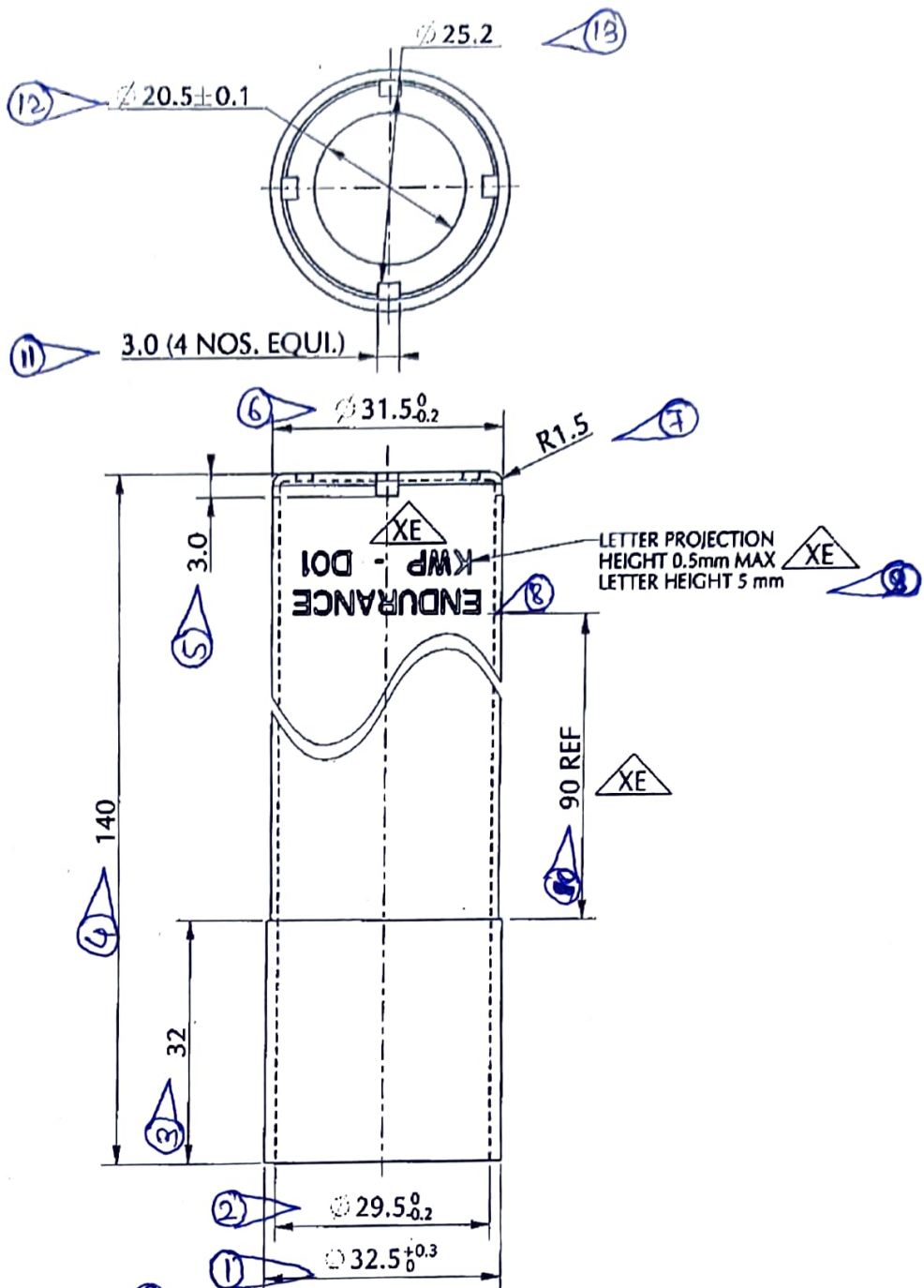
PREPARED BY:

APPROVED BY:

Format No.: F/QA/06./00/01.01.202

Total samples : 100 no's (25 no's / each cavity)

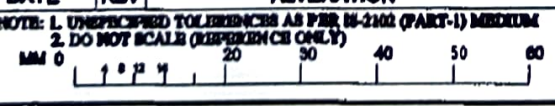
THE INFORMATION CONTAINED HEREIN IS STRICTLY CONFIDENTIAL AND IS A PROPERTY OF ENDURANCE SUSPENSION DIVISION, AURANGABAD, AND ANY USE EXCEPT THAT FOR WHICH IT IS AUTHORIZED IS STRICTLY PROHIBITED. ANY MISUSE OR INFRINGEMENT THEREOF WILL RESULT IN LEGAL ACTION TO PROTECT OUR RIGHTS. IF YOU ARE NOT THE INTENDED RECIPIENT YOU HAVE RECEIVED THIS IN ERROR. PLEASE DO NOT VIEW OR COPY THIS DOCUMENT AND KINDLY NOTIFY AT THE MENTIONED ADDRESS.
 - ITEM CODES ENDING WITH 'Y' REPRESENTS DRAWINGS. CORRESPONDING PART NOS/CODES WILL END WITH 'M' OR 'B' BASED ON COMPANY'S MAKE OR BUY DECISION.



NOTE:
 1) NO FLASHES
 2) COLOUR - BLACK
 3) UNSPECIFIED TOL. ±0.3

SAFETY CHARACTERISTICS	● = 0
SIGNIFICANT CHARACTERISTICS	● = 0

22.07.13	XE	1) DIMN. 90 REF ADDED 2) DIM. 25 REMOVED. 3) MARKING DETAIL KWP - D01 WAS 51400-9V1C-0200 . 4) LETTER HEIGHT 0.5mm PROJECTION WAS WHITE COLOUR INK JET PRINTING. 5) DESCRIPTION KWP FRONT LH & RH WAS KWP FRONT RH	-	672-S	MATERIAL	O E PART NO	-
					PPCP	REF. PART NO	520DC00902 REV B
11.07.13	XD	1) O.E. PART NO. 51400-9V1C-0200 ADDED IN MARKING. 2) KWP FRONT RH DETAILS ADDED IN DESCRIPTION.	-	654-S	WEIGHT	SUPERCEDES PART NO	530DC00802 REV XD
						DESCRIPTION	DUST COVER (KWP FRONT LH& RH)
28.03.13	XC	1) MARKING MODIFIED. 2) DIM. 25 ADDED.	-	421-S	VOLUME	DRG. No./PART No.	530DC00802
						REV	XE
DATE	REV	ALTERATION	ECN	DRN	DRAWN BY	CHECKED BY	APPROVED BY
					<i>Ronling</i>	<i>24.7.13</i>	<i>[Signature]</i>



Poly Propylene

Customer Name : SAPHIRE PLASTOCHEM PVT. LTD.
Grade : B030MG
Material Description : PPCP
Batch/Lot Number : H2210199

Date of Certificate: April 5, 2022
DCPI Date : March 31, 2022
DCPI Number : 619172272

Sr. No.	Parameters	Test Method	UOM	Specification	Result
1	Melt flow index(230°C/2.16 kg)	ASTM D1238	g/10 min	2.7 - 3.6	3.3
2	Density at 23°C	ASTM D792	g/cm ³	0.00	0.00 max

Remarks:

- * The product conforms to the above specification.
- * This documents shall not be published/reproduced for advertisement purpose.

Authorized Signatory
For and on Behalf of RIL

*The product complies with Indian Standard IS 10146: 1982 on "Specification for polyethylene for its safe use in contact with foodstuffs, pharmaceuticals and drinking water". It also conforms to IS 16738:2018 on positive list of constituents for polypropylene, polyethylene and their copolymers for its safe use in contact with foodstuffs and pharmaceuticals. The grade and the additives incorporated in it also comply

With the FDA: CFR Title 21,177.1520, Olefin polymers.

*The data, information and suggestions contained herein are given purely as a guide. RIL undertakes no responsibility either for the results deriving from their adoption or for possible use for various applications.

This is electronically generated document, hence no signature is required.

INV- NO - 20

DT - 05/04/22

Qty - 2 MT.

Rec Dt - 8/04/22