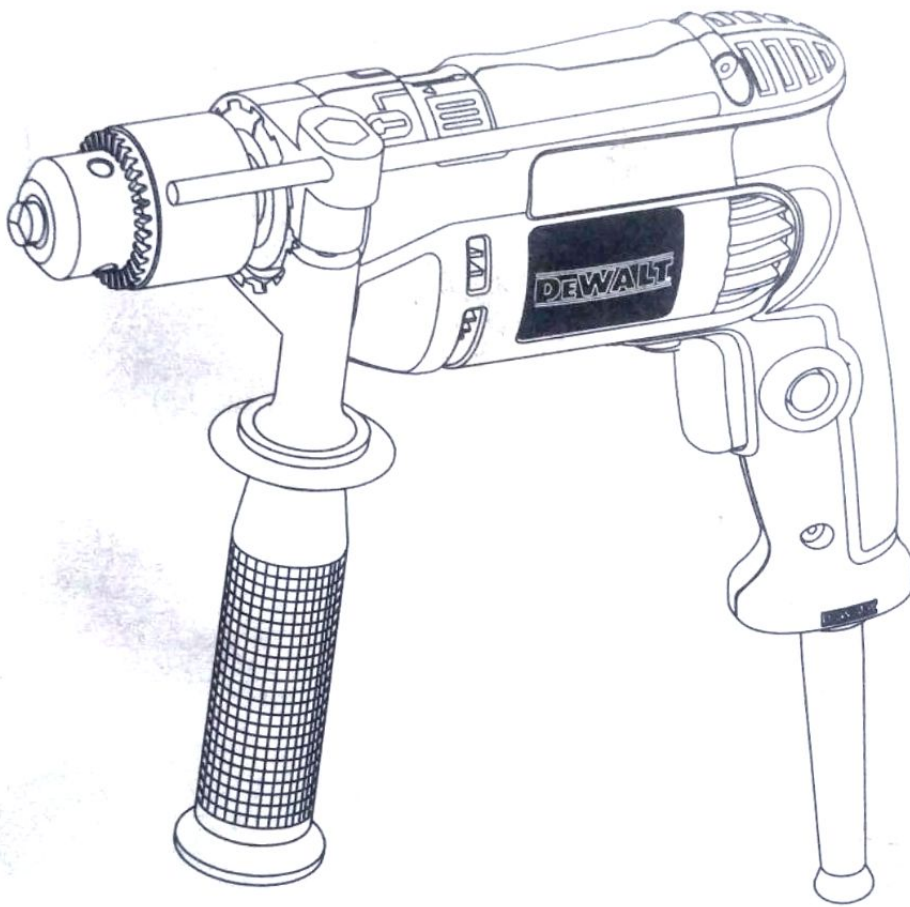



DEWALT®



www.DEWALT.com

DWD024
DWD014

Country	City
Bangladesh	Dhaka
	Dhaka
	Dhaka
India	Bangalore
	Mumbai
	Chennai
	Jaipur
	Delhi
	Kolkata
	Secunderabad
	Pune
Nepal	Katmandu
Sri Lanka	Colombo

DEWALT High Performance Industrial Tools		Customer's Copy
Customer's Name :		
Address :		
Cat.#	Product: DWD014	
Code & Sr. No.	Batch No: 2018 19 IN	
Week Code	Serial No: 69 37852	
	EAN: 8906051381643	
Date of purchase :	Invoice No. / Receipt No. :	
Dealer's Name :		
Tel. No. :		
Dealer's stamp :		

Part No. : 914081-00

Secunderabad	Stanley Black & Decker India Pvt. Ltd. Plot No. 61, Hanuman Nagar, Near Janaki Model School, New Bowenpally, Secunderabad - 500011.	9866681375 / 9866545845
Pune	Stanley Black & Decker India Pvt. Ltd. Office No. 9, 2nd Floor, Opp. Venus Traders, OFF F.C. Road, Behind Rupali Hotel, Karnik Heritage, Pune - 411 004.	
Nepal	Universal Trading Centre (Lucky Nepal) PO Box 1947, Katmandu. E-mail : lucky@mos.com.np	+977-1 262192 or 260587 Fax : 977-1 261154
Sri Lanka	Delmege General Equipment Pvt. Ltd. 51, Stork Place, Colombo - 10 E-mail : dgeservice@delmege.com	+94 11 2688462 +94 11 2

Product & Service Helpline No. : 18604251111
For update ASC List Please Visit our
Website : www.india.stanleyblackanddecker.com

WARRANTY CARD



Forte (India) Enterprises

119/23 (New 119/45), Naseemabad

Kanpur - 208012, INDIA

ANGLE GRINDER
100 mm / 750 W

FAG 100 - 7

Serial No.

AG4 21016519

Name of Purchaser :

Bhakti Engineering

Address :

Mobile No. :

Invoice No. :

Date :

12/6/22

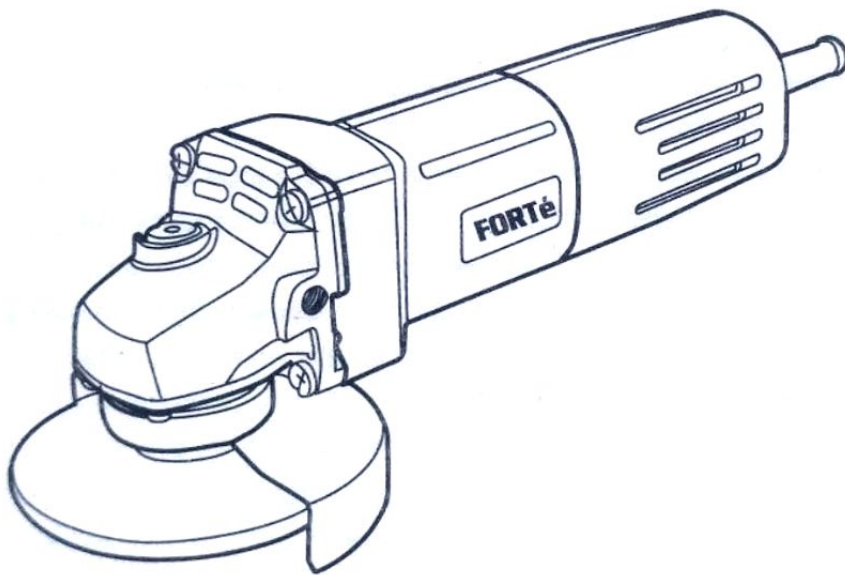
Dealer Name & Address :



D. G. Patil



ANGLE GRINDER 100mm / 750 W
F AG 100 - 7



Forte (India) Enterprises
119/23 (New 119/45), Naseemabad, Kannur - 208012, INDIA

Prescribed Under...

MODEL NO.

DPA-770

SERIAL NO.

435752

PURCHASED BY

NAME :

ADDRESS :

PHONES :

EMAIL :

SOLD BY (DEALER)

DATE OF PURCHASE

--	--	--	--	--	--	--

DEALER'S SIGNATURE

WARRANTY

Part of Factories

MODEL NO.

DPA-770

SERIAL NO.

435752

PURCHASED BY

NAME :

ADDRESS :

PHONES :

EMAIL :

SOLD BY (DEALER)

DATE OF PURCHASE

--	--	--	--	--	--	--

DEALER'S SIGNATURE

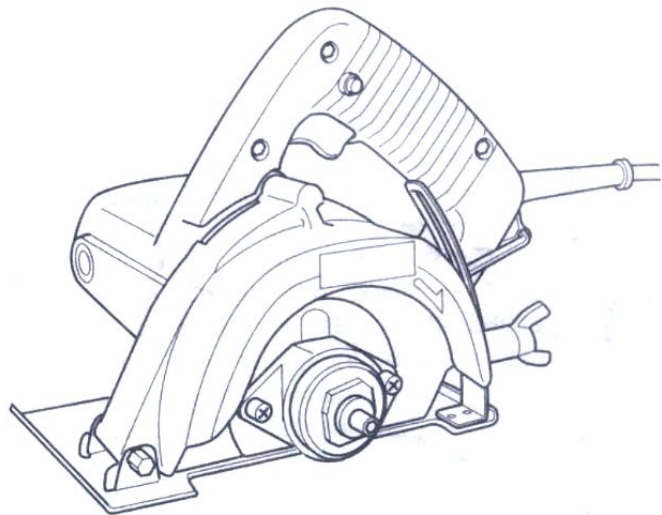
WARRANTY

maktec

INSTRUCTION MANUAL

Cutter

MT410



001671



DOUBLE INSULATION

IMPORTANT: Read Before Using.



CUSTOMER COPY

WARRANTY CARD

No: C-

Name of the Dealer: _____

Name of the Customer: Bhaxfi Engg

Address: _____

Phone No: _____ Date of Purchase: 14-5-2022 Invoice No: _____

M4101

S/N

000044841P

~ 000045400P

This tool is warranted for a period of 6 months from the date of purchase with terms & conditions printed overleaf.



Makita Power Tools India Pvt. Ltd.

Unit II Sy. Nos. 93/3 & 93/4, Koralur village, Kasaba Hobli, Hoskote Taluk, Bangalore - 560067. Fax: +91-80-2854-9007, Email: sales@makita.in

Customer Care No: +91-80-2205-8200